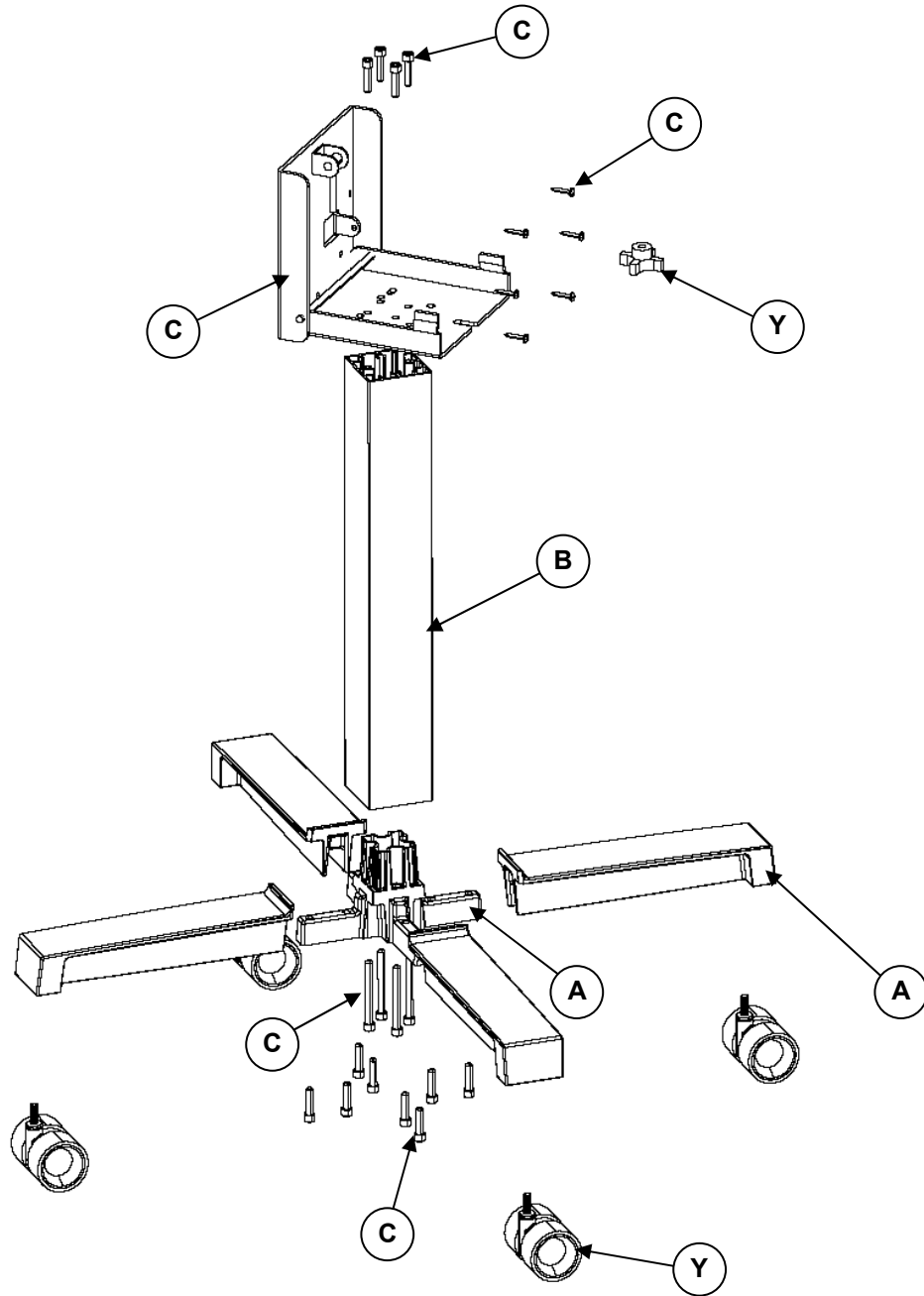


Dewey: X-Base Assembly - Folding



Product Material Identification

- |                      |                             |
|----------------------|-----------------------------|
| A. Cast Aluminum     | H. Laminated Composite Wood |
| B. Extruded Aluminum | I. Textile                  |
| C. Steel             | J.                          |
| D. Cast Iron         | K.                          |
| E. Zinc Die Cast     | L.                          |
| F. Scrap Metal       | Y. Mixed Materials          |
| G. Tempered Glass    | Z. Electronics              |

ISO 14469 Plastic Identification

- P. Unspecified Plastic
- P1.  
P2.  
P3.  
P4.  
P5.  
P6.

Disassembly Tools

- Straight screwdriver
- Philips screwdriver
- Torx screwdriver
- Safety glasses
- Hammer
- Utility knife
- Scissors

♻️ For recyclability of materials identified see *izzy+ End of Life Recovery Options* at [www.izzyplus.com](http://www.izzyplus.com)