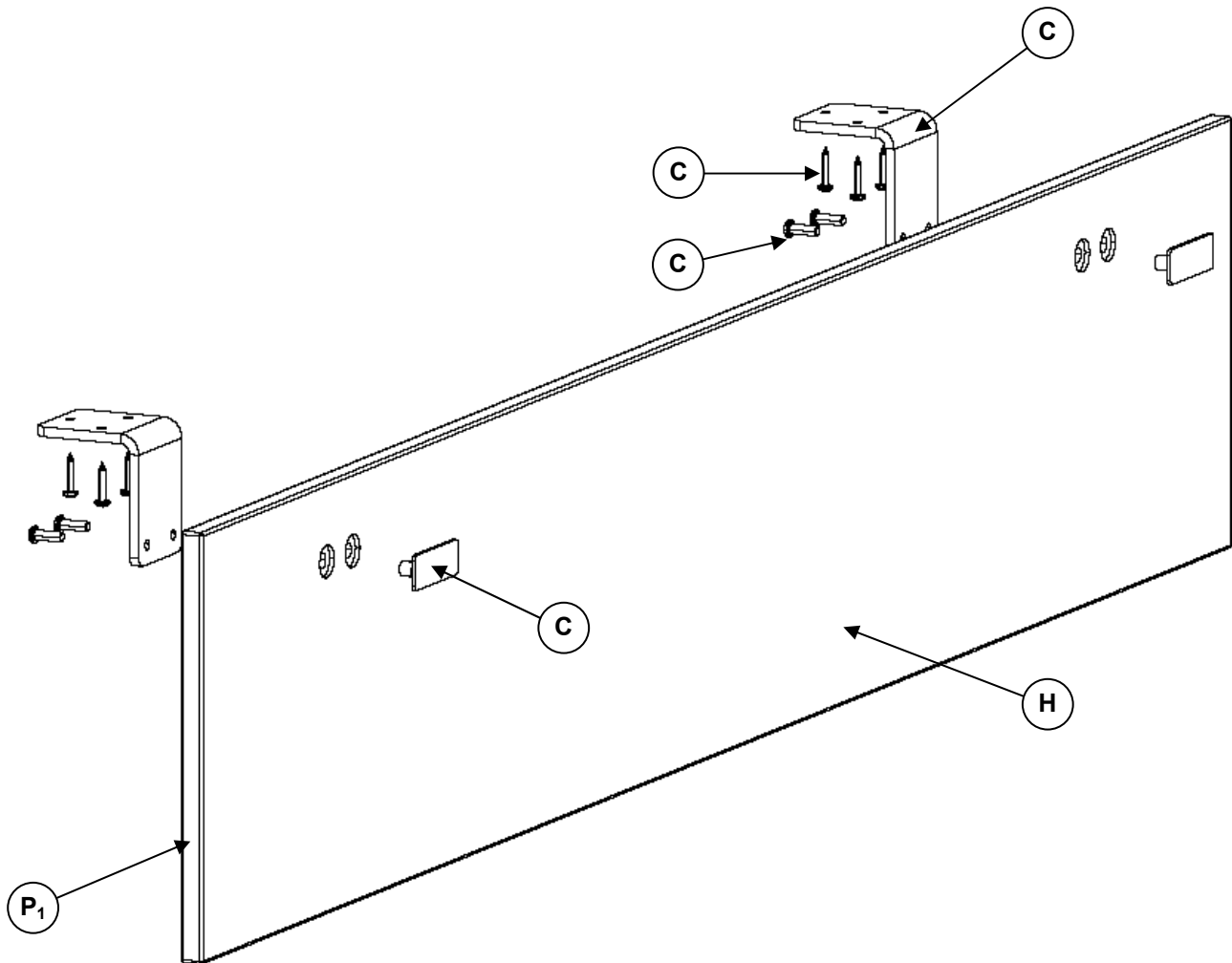


Dewey: Modesty Panel – Worksurface Mounted



Product Material Identification

- | | |
|----------------------|-----------------------------|
| A. Cast Aluminum | H. Laminated Composite Wood |
| B. Extruded Aluminum | I. Textile |
| C. Steel | J. |
| D. Cast Iron | K. |
| E. Zinc Die Cast | L. |
| F. Scrap Metal | Y. Mixed Materials |
| G. Tempered Glass | Z. Electronics |

ISO 14469 Plastic Identification

- P. Unspecified Plastic
P₁. >ABS<
P₂.
P₃.
P₄.
P₅.
P₆.

Disassembly Tools

- Straight screwdriver
- Philips screwdriver
- Torx screwdriver
- Safety glasses
- Hammer
- Utility knife
- Scissors

♻️ For recyclability of materials identified see *izzy+ End of Life Recovery Options* at www.izzyplus.com